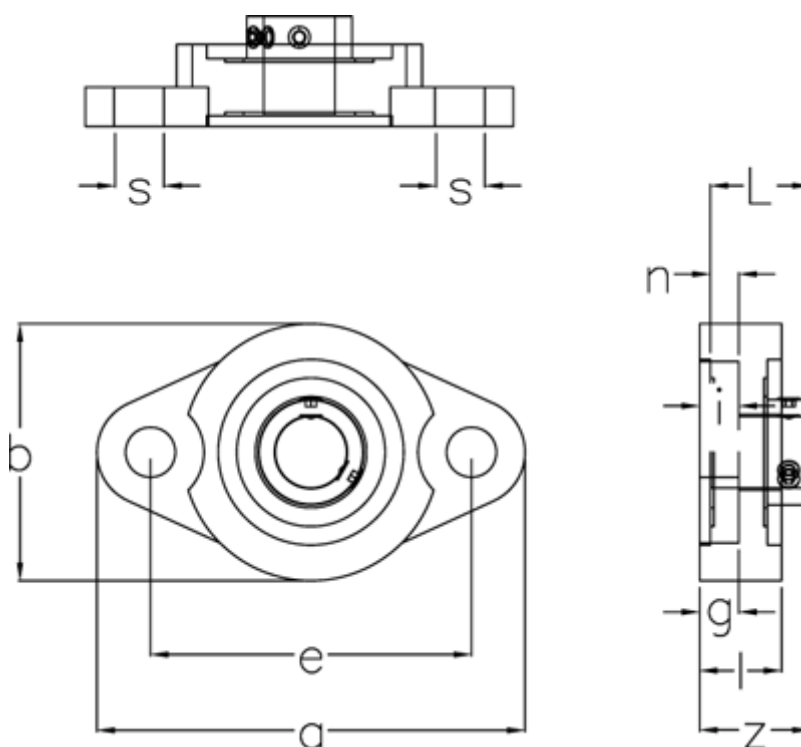


Article number: 5425061004

Description: 2 hole Flange Unit KFL004 for shaft $\varnothing 20\text{mm}$
Housing alu, bearing steel, extra small

Measures



a	= 90	l	= 16.0
b	= 55	L	= 21.0
Bearing	= K004	Nominal drive	= 6.0
Bolt size	= M8	s	= 10
e	= 71	Weight	= 0.23
g	= 8.0	z	= 23.0
Housing	= FL04-5		
i	= 8.0		